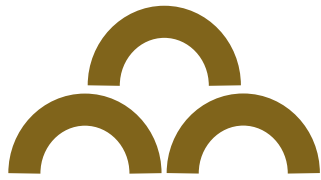


Flood Prevention Products...



Aquabag

Ask for it by name.

Control Flooding with Instant Sandbags

How It Works

Aquabags are a replacement for the age-old sandbag in the control of floodwaters.

The Aquabag is a disposable polypropylene bag filled with a super absorbent polymer. When it becomes wet, it expands to more than 80-100 times its original size. The inflation process takes two to three minutes, providing a fast and easy means of constructing a flood prevention dam.

Once the flood event is over, the environmentally friendly Aquabags can be dried out and/or disposed of easily. When compared with traditional sandbags, the Aquabag greatly reduces time and money.



Product Uses

Residential Flood Protection includes doorways, windows, garage doors, creek overflow, sump pit areas, etc.

Commercial Flood Protection includes storefront, underground ramps, streets, riverbanks, construction sites, subway entrance, weighted-down traffic/road signs, hazardous spill containment, etc.

Features/Advantages Compared to Traditional Sandbags

Traditional Sandbags

Aquabag

| | |
|-----------------------------------------------------------------------------------------------------------------------------|-------------------------------------------------------------------------------------------------------|
| Traditional Sandbags require extensive time, labor, and material transport to prepare and provide "mission ready" sandbags. | Fast, easy, lightweight bags "inflate" in minutes. Automatically! No mess. No fuss. "Just add water!" |
| Requires large storage space and extensive manpower or equipment to move and manage. | Stores in less than a quarter of the space! |
| Difficult to ship and transfer, very heavy. | Easy to ship, move and deploy. |
| Must dispose of possibly contaminated sand. | Biodegradable, environmentally friendly. |

Base Products Corporation

Flood Prevention Products

PO Box 1601, Buffalo, NY 14231-1601
 Phone: 716-876-5206 Fax: 716-876-5211
 Toll Free: 800-554-1426
www.basepump.com

Residential

- Homes
- Townhouses
- Condos
- Cottages



Commercial

- Business
- Store Fronts
- Ramps



Is Your Property Protected?

Flood Prevention Products...



Aquabag

Product Specifications

- Inflated Dimensions: 12" wide x 19" long x 6" high
- Dry Weight: 10 oz. Inflated weight: 35 lbs.
- Outer bag material: Disposable Polypropylene
- Biodegradable Super-Absorbent Polymer, MSDS available
- Shelf Life: Approx. 5 years
- Remains inflated up to 8 weeks
- Box Quantity: 30 Bags, p/n **AQ30**, Wgt. 12 lbs
- Skid Quantity: 720 Bags, p/n **AQ720**, Wgt. 300 lbs

Storage Instructions

The Aquabag can be stored in a clean, dry environment sealed in its original container for up to 5 years or more.



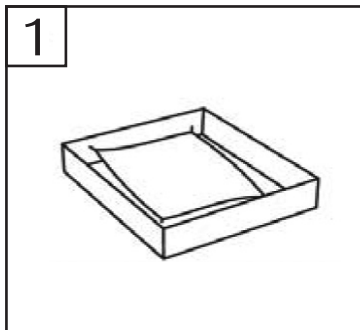
DRY BAG
10 Ounces



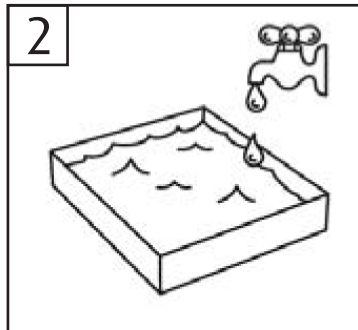
INFLATED BAG
35 - Lbs

Installation Instructions

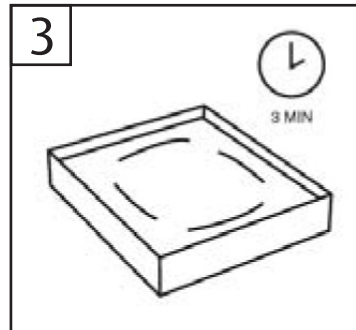
Aquabags can be inflated by submersing them into a container of fresh water. For large quantities, a small pool, creek or pond can be used, provided it is fresh water, not salt water. Typical inflation time is 2-3 minutes.



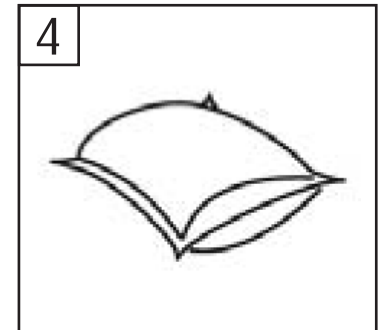
1 Place empty bag into container



2 Add water



3 Leave to soak



4 Use expanded bag

After Use

The Aquabag can be left outdoors to dry until completely flat and then disposed of. A fully inflated bag can be cut open and the polymer may be disposed of into the soil. An alternate method is to soak the Aquabag in a 5-10% salt (CaCl₂) solution, and it will shrink into its original size, ready for disposal.

MSDS Material safety data sheets are available upon request.



Base Products
Corporation

Flood Prevention Products

PO Box 1601, Buffalo, NY 14231-1601
Phone: 716-876-5206 Fax: 716-876-5211
Toll Free: 800-554-1426
www.basepump.com

Is Your Property Protected?